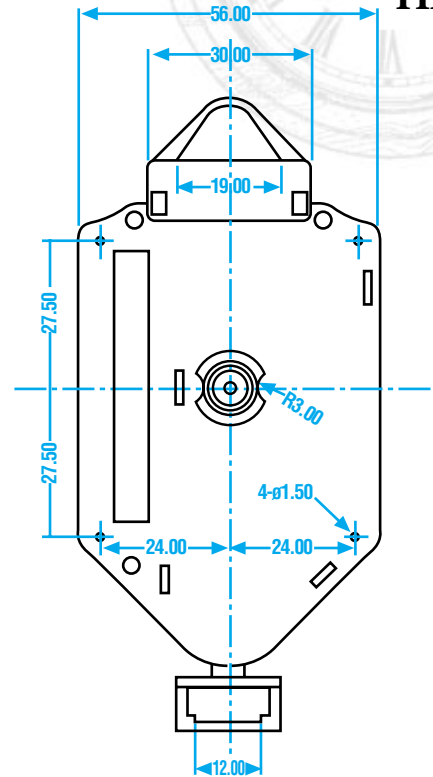
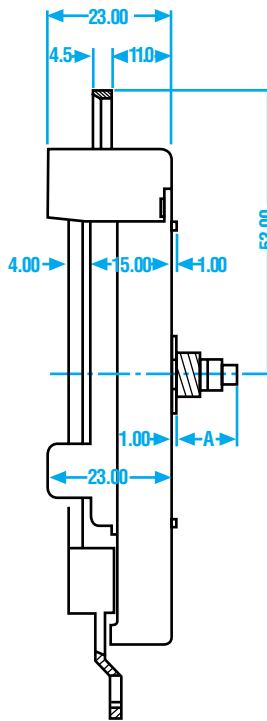
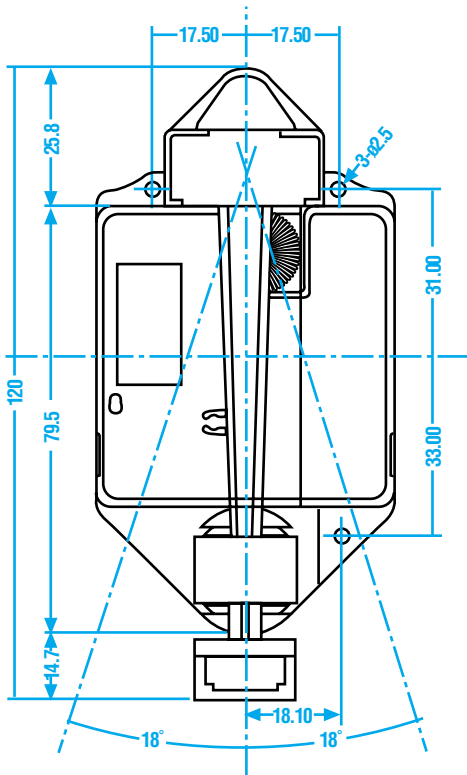


# Quartz Pendulum Clock Movement

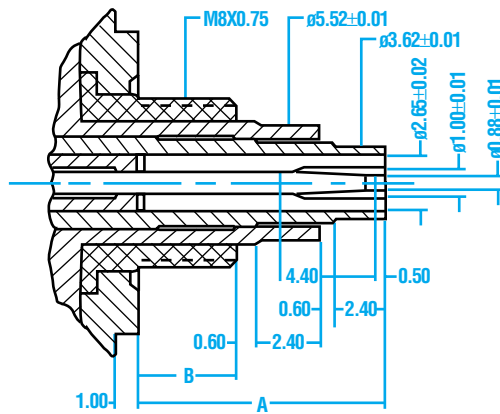


WP33 SHD, SHE, SHF

**TIMEWORX**



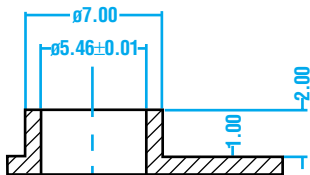
	HQ 3268 SHD	HQ 3268 SHE	HQ 3268 SHF
A	13.0	19.0	28.2
B	6.1	12.1	21.0



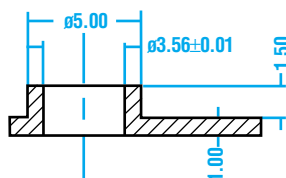
## PENDULUMS

See page 21 for pendulums to suit this movement.

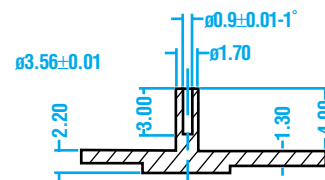
## PLASTIC HAND



Hour Hand



Minute Hand



Second Hand

## SPECIFICATIONS

Crystal Oscillator 32.768KHZ  
Accuracy at 22° ±20sec/month  
0.45±0.55 sec/day  
Operating Voltage 1.3V to 1.7V

Average Current Consumption Time w/Pendulum  
Motor Type Two-pole stepping motor  
Battery Size AA size (IEC R6) 1pc  
Battery Life Approx 1/2 year  
Operating Temperature -10° to +50°

Less than ≤150uA at 1.5V  
Less than ≤350uA at 1.5V (Pendulum length 200mm weight 60g)

PO Box 17 230  
Auckland  
New Zealand

email: sales@timeworx.co.nz  
web: www.timeworx.co.nz