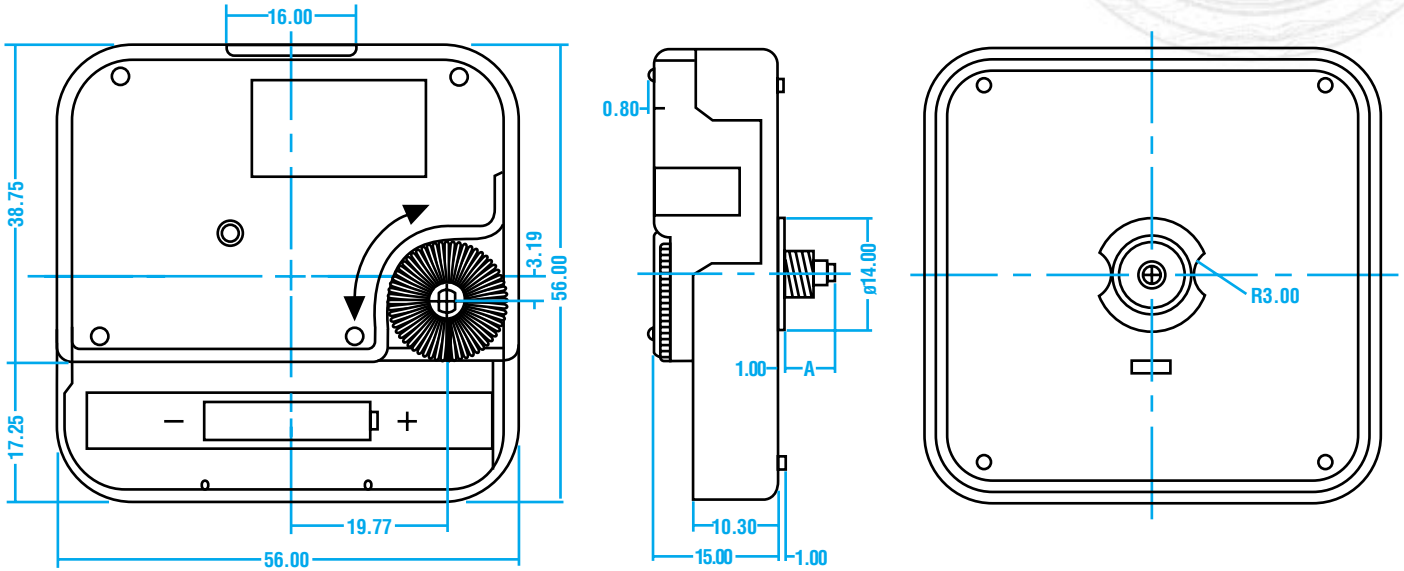


# Quartz Clock Movement

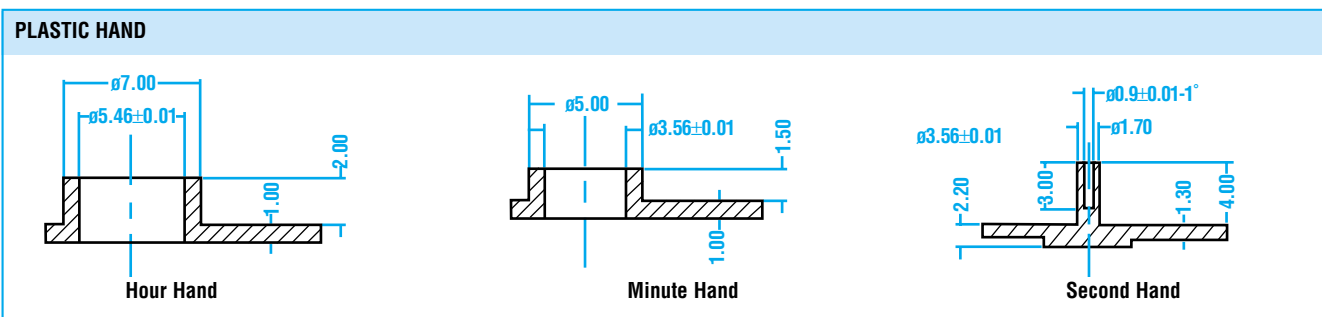
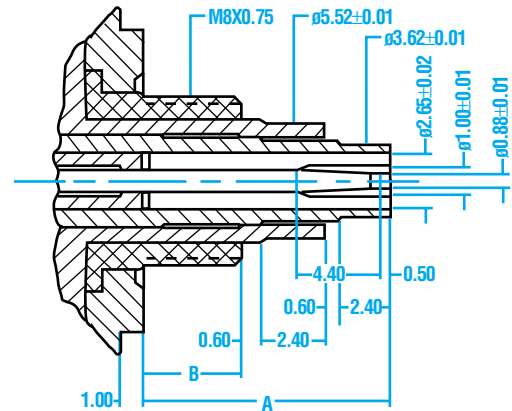
HQ 3268 SHC, SHD, SHE, SHF, SHG

**TIMEWORX**



	HQ 3268 SHC	HQ 3268 SHD	HQ 3268 SHE	HQ 3268 SHF	HQ 3268 SHG*
A	11.5	13.0	19.0	28.2	24.0
B	4.6	6.1	12.1	21.0	16.0

\* The SHG shaft length B=16mm!



## SPECIFICATIONS

Crystal Oscillator	32.768KHZ	Resonance Frequency	2048
Accuracy at 22°	±20sec/month	Motor Type	Two-pole stepping motor
	0.45±0.55 sec/day	Battery Size	AA size (IEC R6) 1pc
Operating Voltage	1.3V to 1.7V	Battery Life	Approx 1 year
Average Current		Operating Temperature	-10° to +50°
Consumption Time	Less than ≤150uA at 1.5V		

PO Box 17 230  
Auckland  
New Zealand

email: sales@timeworx.co.nz  
web: www.timeworx.co.nz